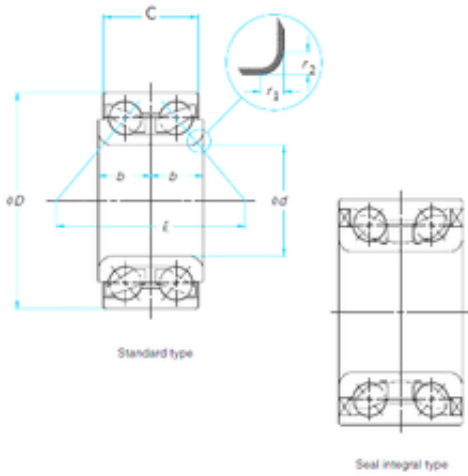




Wheel Bearing Rear,Front Timken 513130

Bearing No. 513130



Size	45x84x39 mm
Bore Diameter	45 mm
Outer Diameter	84 mm
Width	39 mm
d	45 mm
D	84 mm
B	39 mm
C	39 mm

513130 Bearing 2D drawings and 3D CAD models